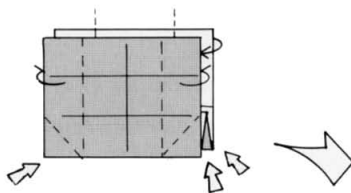
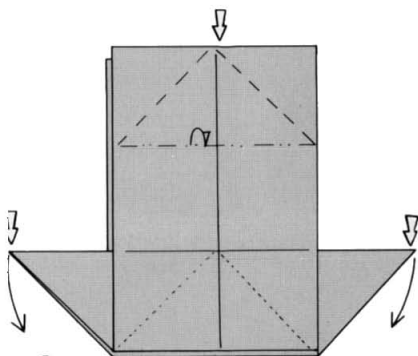


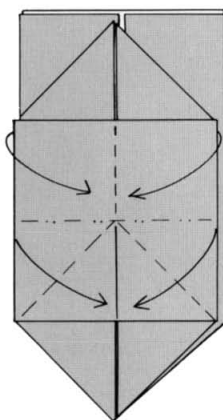
1.



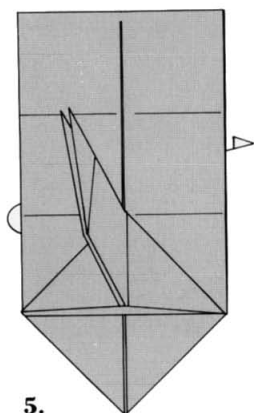
2.



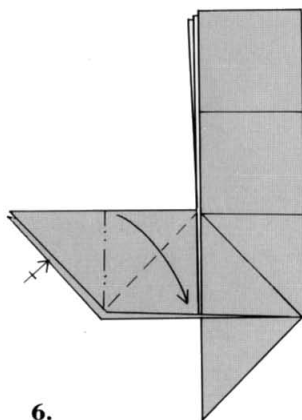
3.



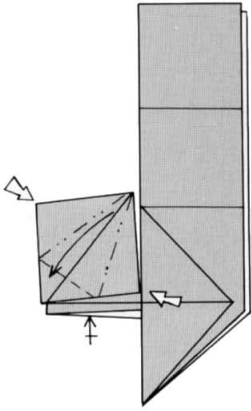
4. Make large rabbit ear.



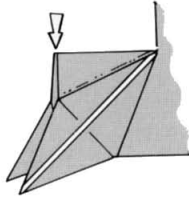
5.



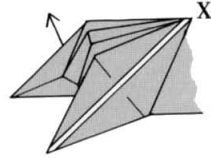
6.



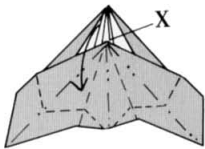
7. Squash and petal fold.



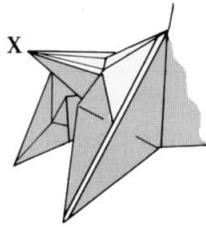
8.



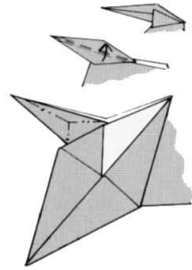
9. Stretch and let single thickness move out, then press into shape. Watch X.



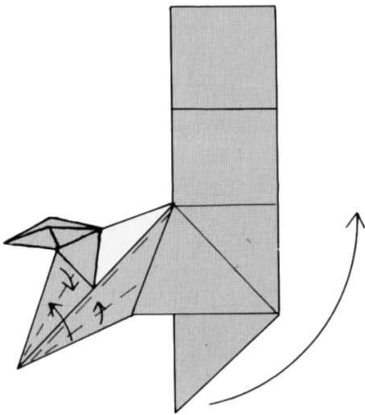
10.



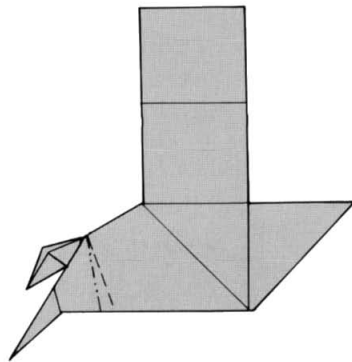
11.



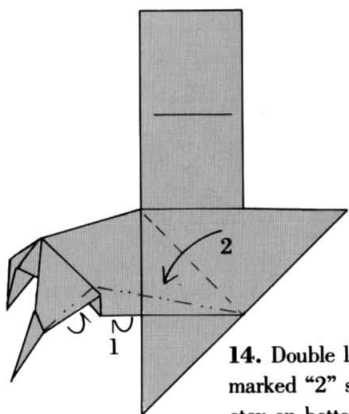
11a. Squeeze tail flat then fold in half.



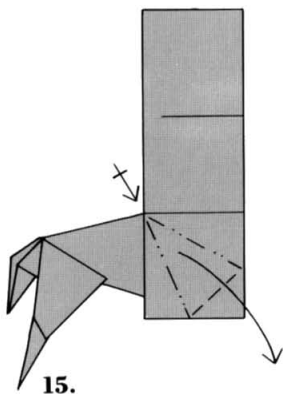
12.



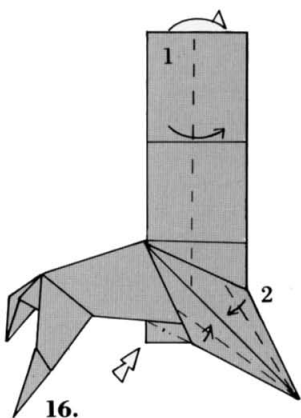
13.



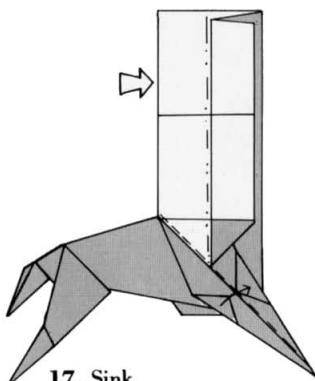
14. Double layer marked "2" should stay on bottom.



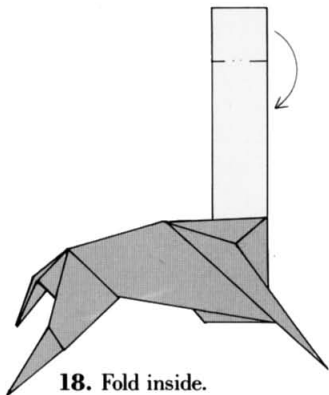
15.



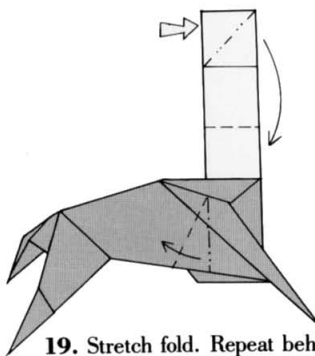
16.



17. Sink.

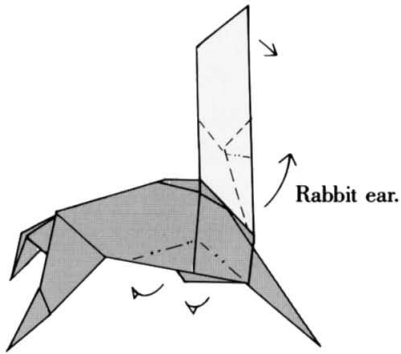


18. Fold inside.

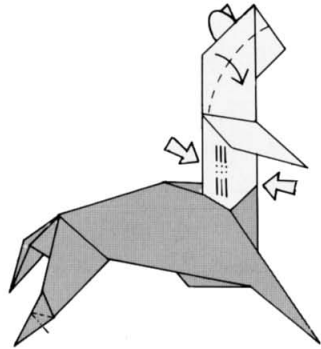


19. Stretch fold. Repeat behind.

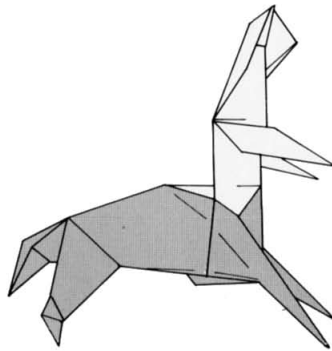
CENTAUR



20. Pull out loose paper.



21. Make body 3-D.



22. Completed Centaur.