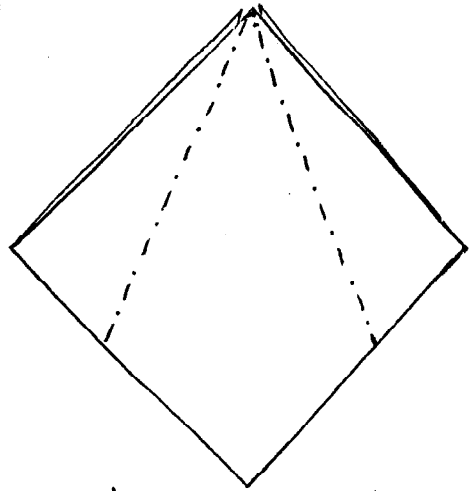
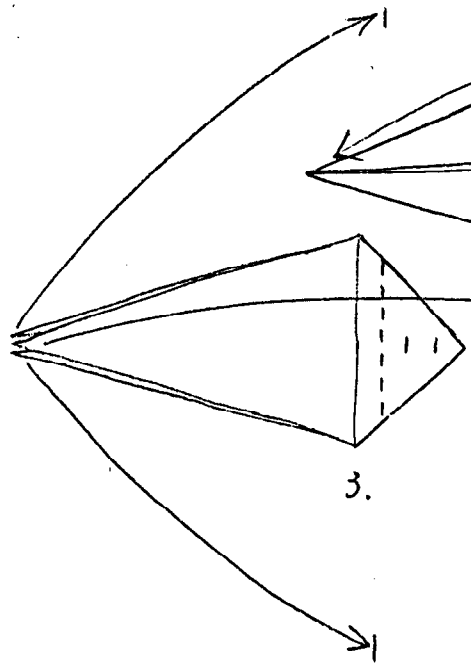


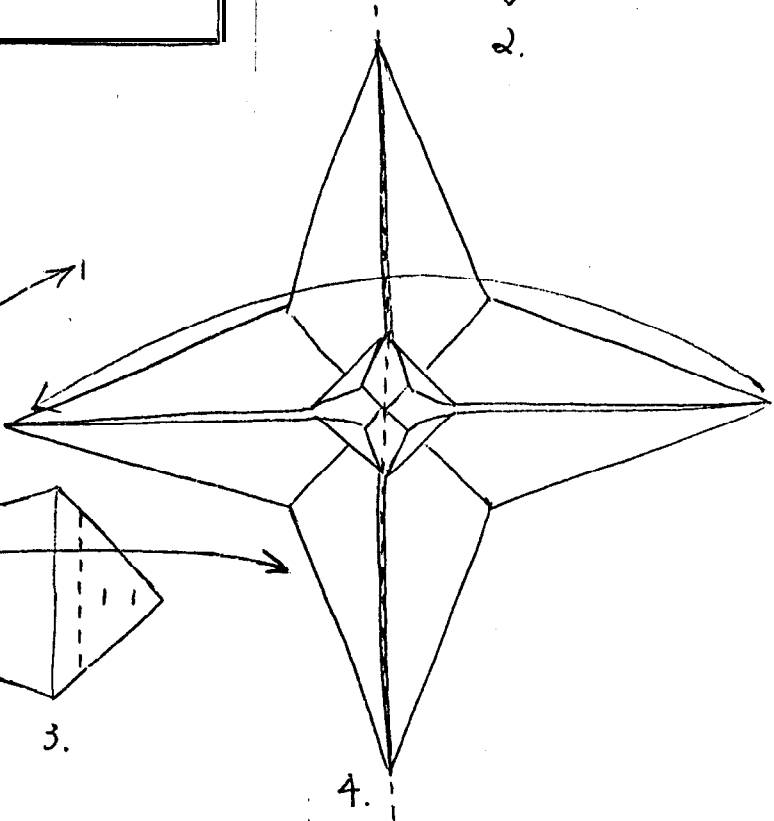
1.



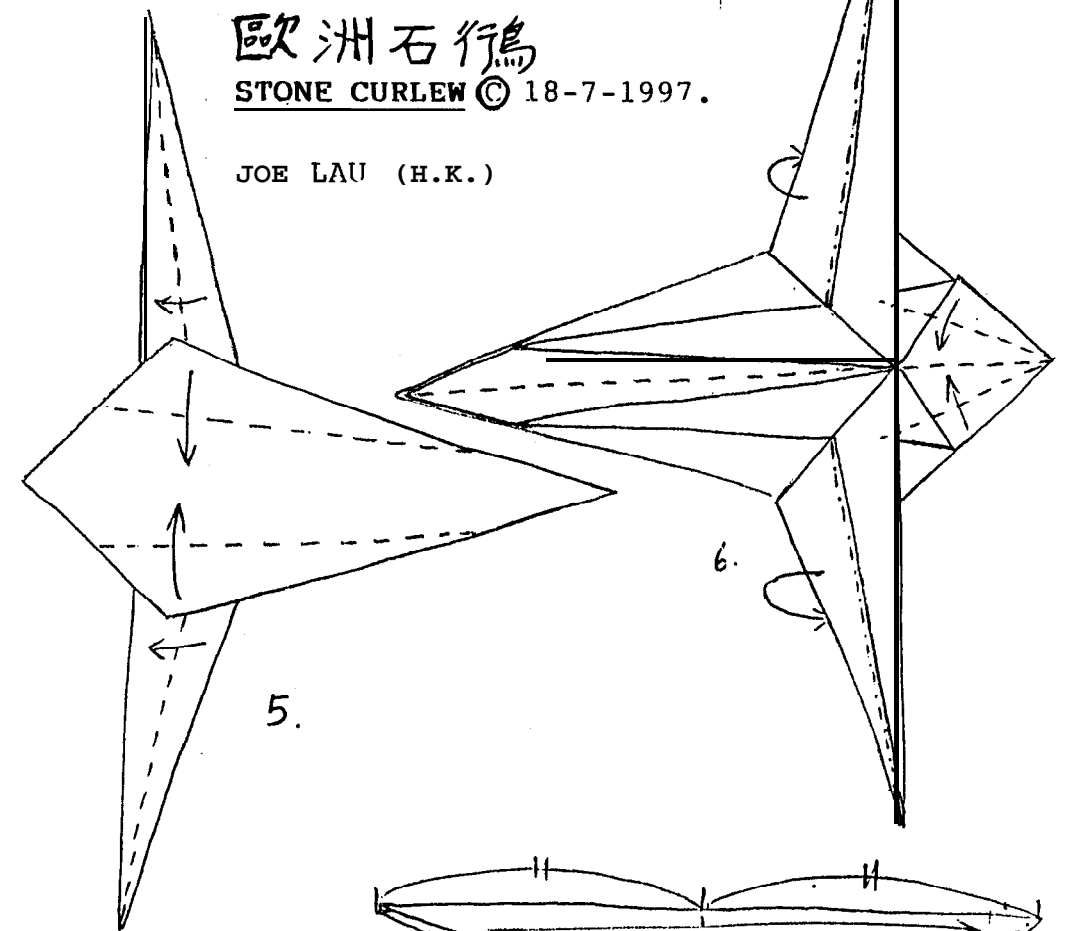
2.



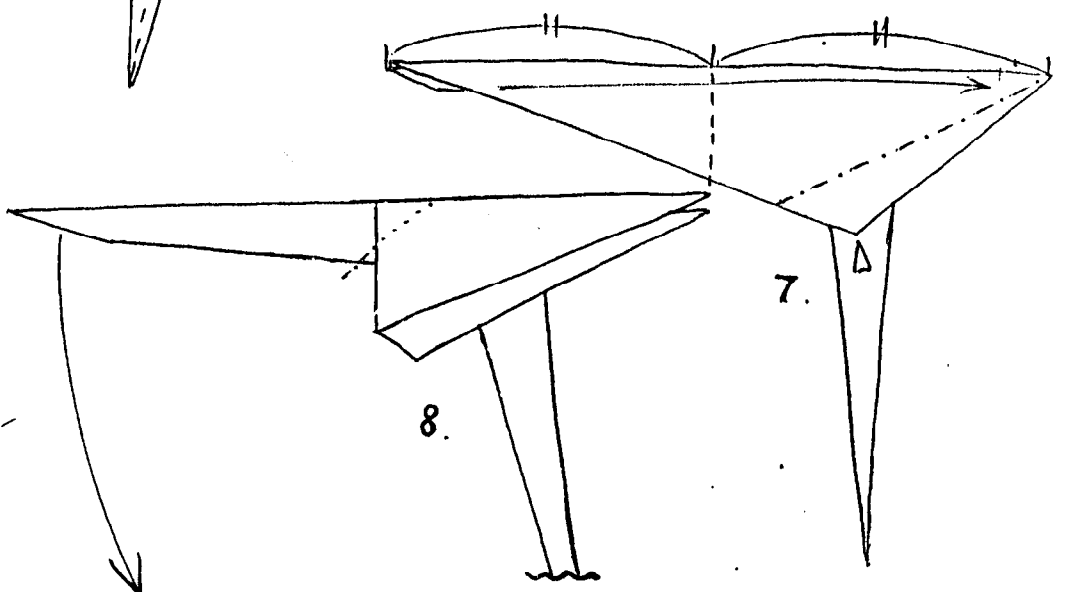
3.



4.



5.



6.

歐洲石鴉
STONE CURLEW © 18-7-1997.

JOE LAU (H.K.)

