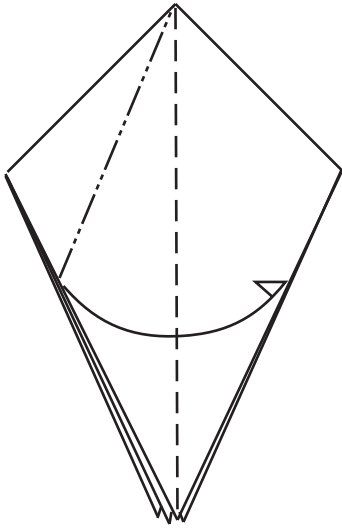


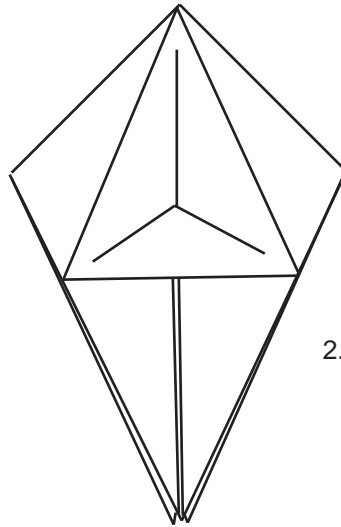
Flutterby

by Perry Bailey © 1999

Name swiped from A.M. Lightner

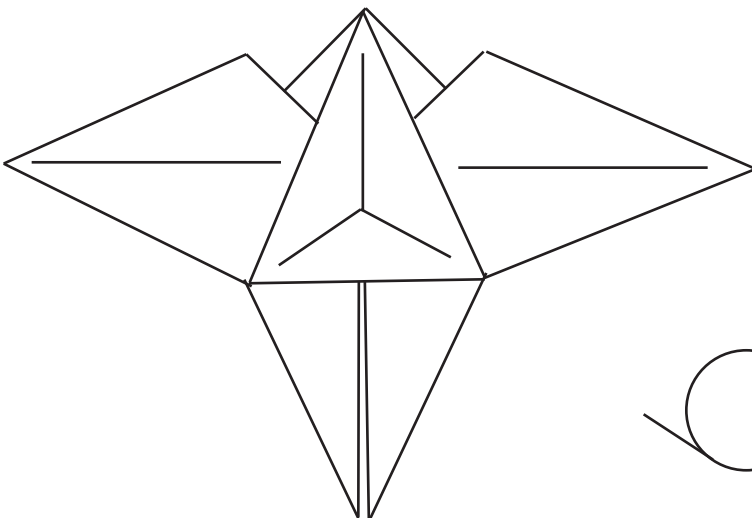
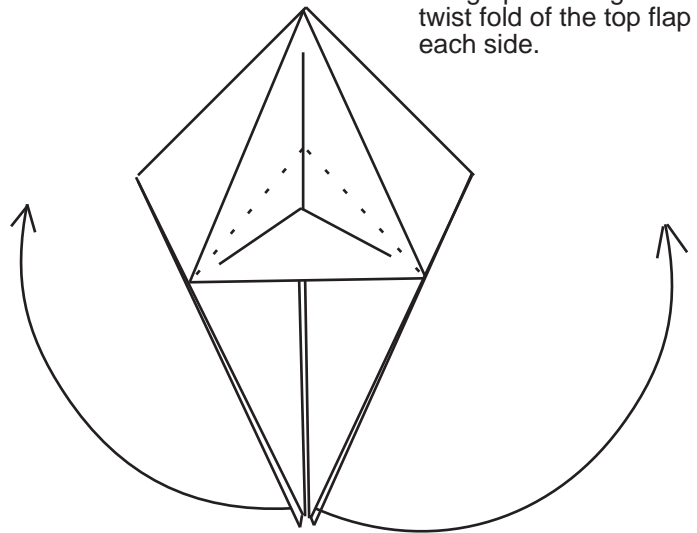


1. Start with a bird base, then spread squash one flap.

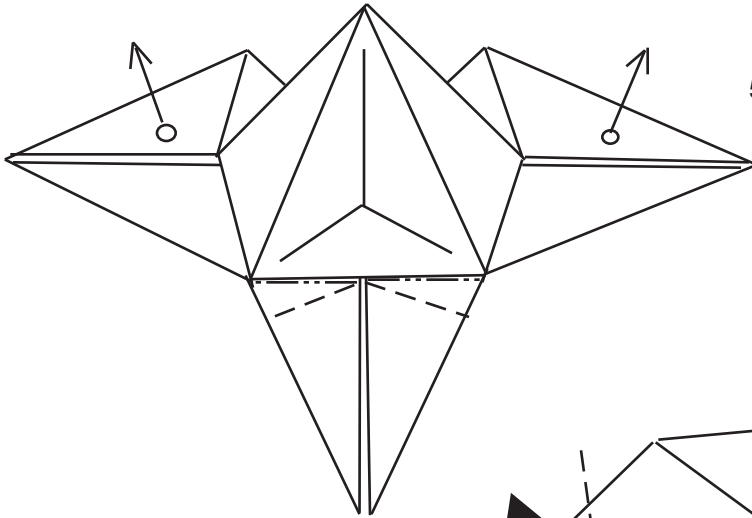


2. Repeat spread squash on other side.

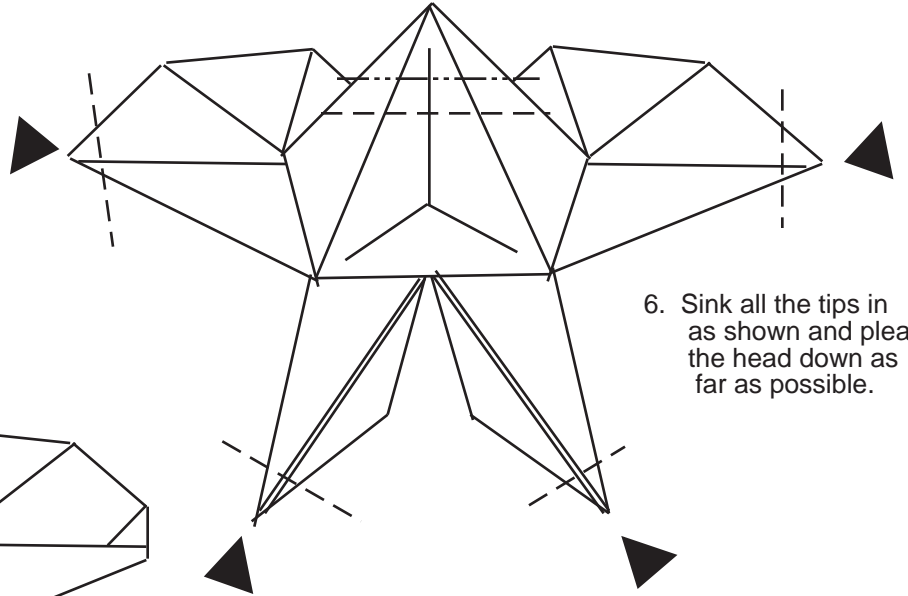
3. Bring up the wings with a twist fold of the top flap on each side.



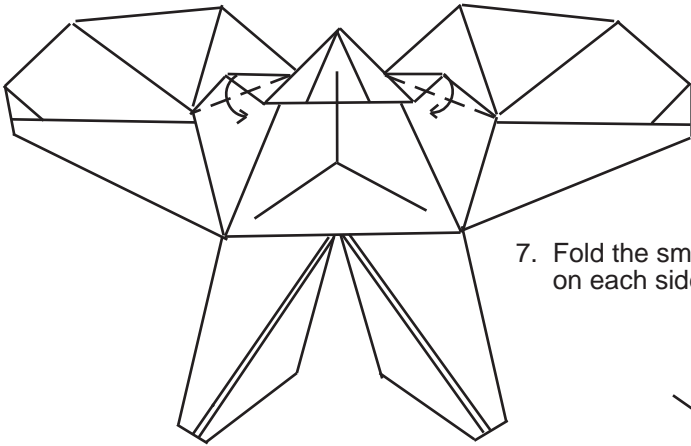
4. Turn the model over.



5. Pull out the trapped paper from inside on the upper wings. On the lower wings swivel fold the top layers only to form the lower wings.



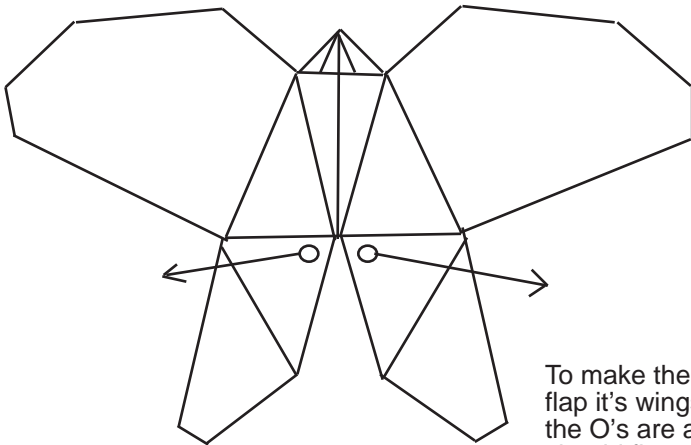
6. Sink all the tips in as shown and pleat the head down as far as possible.



7. Fold the small flaps created by the pleat fold on each side down, then turn the model over.



8. Crease along lines shown.



To make the flutterby flap it's wings hold where the O's are and pull, the wings should flap.

