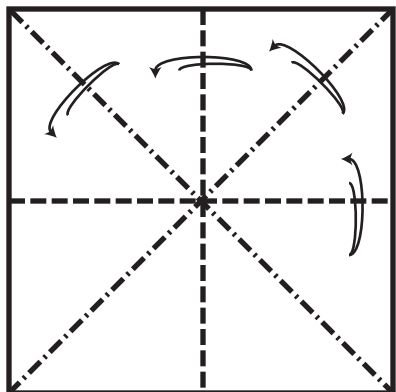


# Dragon In Flight (Version 2.5)

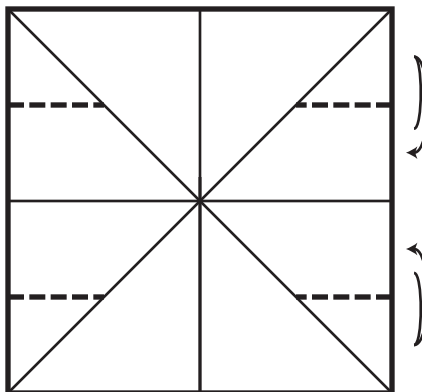
By Charles Esseltine.

I suggest that you should use a large (9 inch or larger) piece of foil (Florist foil is the best in my opinion.), for your first model. You can make the model from just about any paper (Kami, Washi, waxed, plain, etc...), but the model will tend of suffer paper spread. So foil is the best. And Florist foil is very forgiving. If you make a mistke, I mean mistake, it can be undone, and most creases can be pressed out. Begin the model white side up.

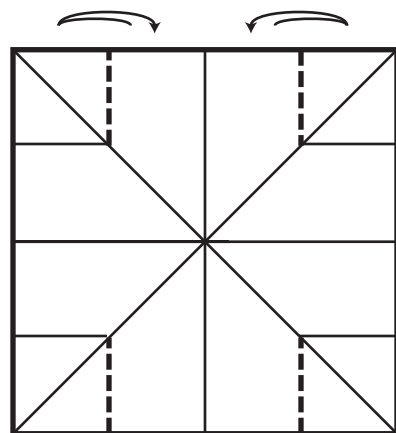
1.) Fold and unfold.



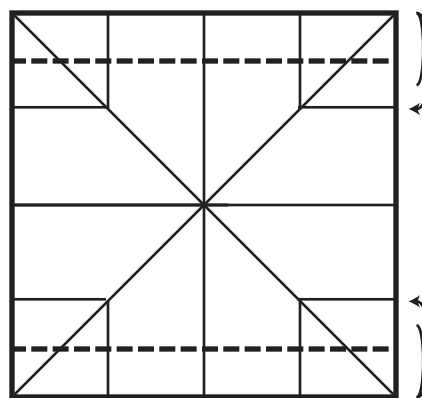
2.) Fold and unfold just the corners.



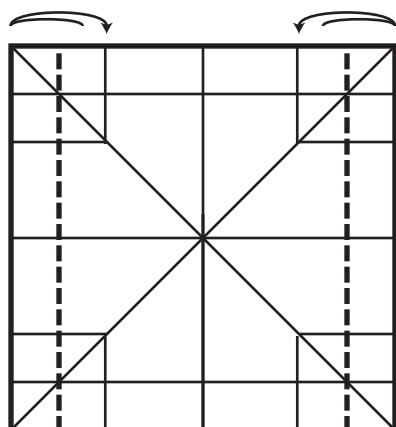
3.) Fold and unfold just the corners.



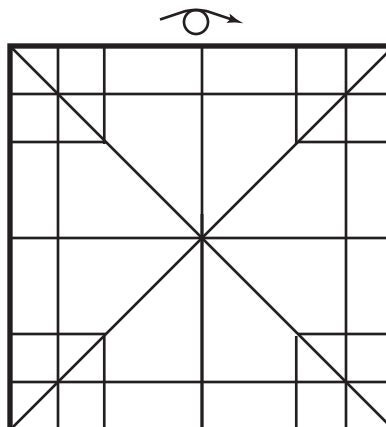
4.) Fold and unfold.



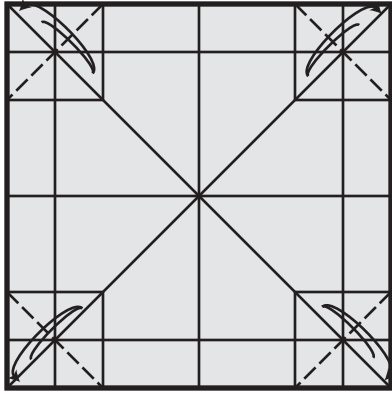
5.) Fold and unfold.



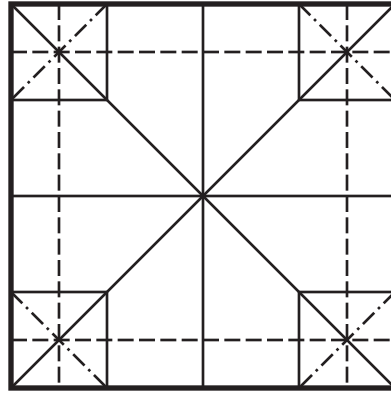
6.) Flip over



7.) Fold and unfold. Then flip over.

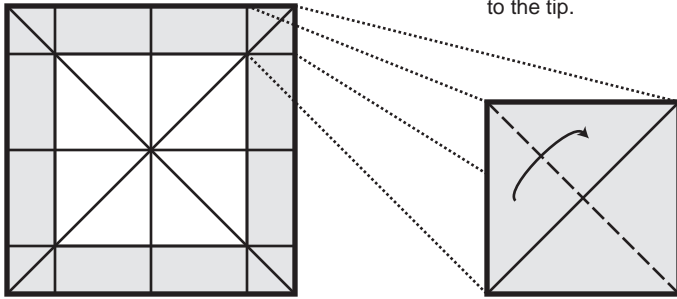


8.) Fold the sides in. The corners will form mini-preliminary bases.



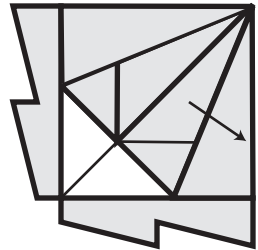
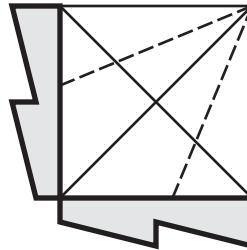
9a.) Choose one corner for the head.

9b.) Fold the flap to the tip.



10.) Fold into the center line.

11.) Unfold one flap.

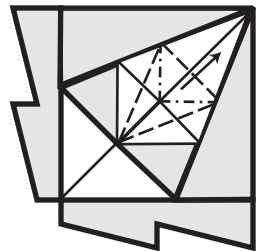
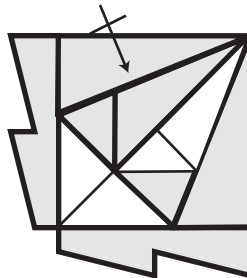
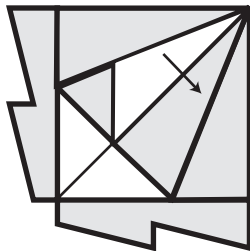
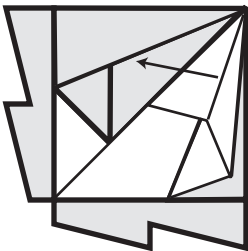


12.) Squash fold.

13.) Fold it back.

14.) Repeat steps 11 - 13 on the other side.

15.) Petal fold.

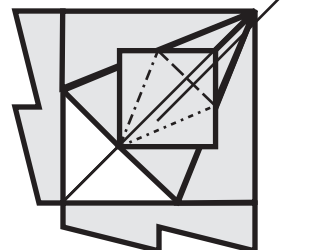
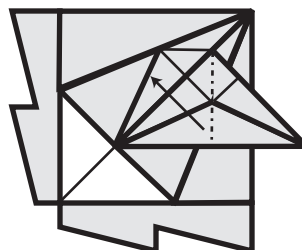
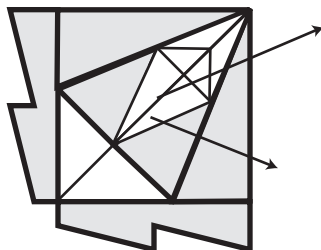
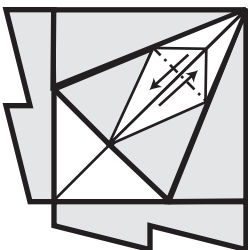


16.) Fold the flap back and forth.

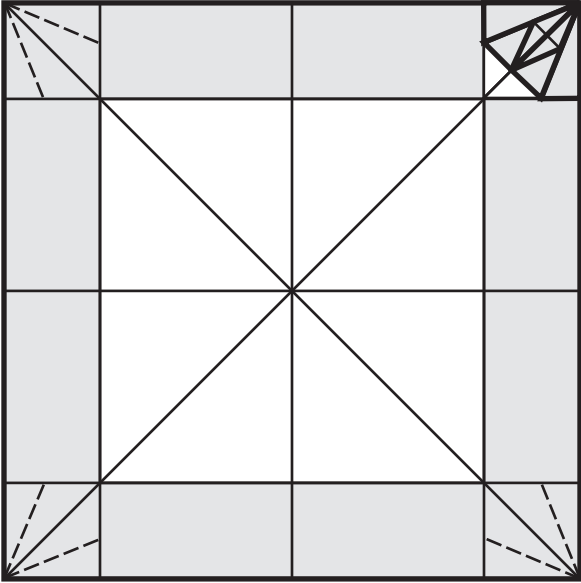
17.) Unwrap the outer layers. You will have to partially unfold it to do so. Refold the bottom.

18.) Squash fold.

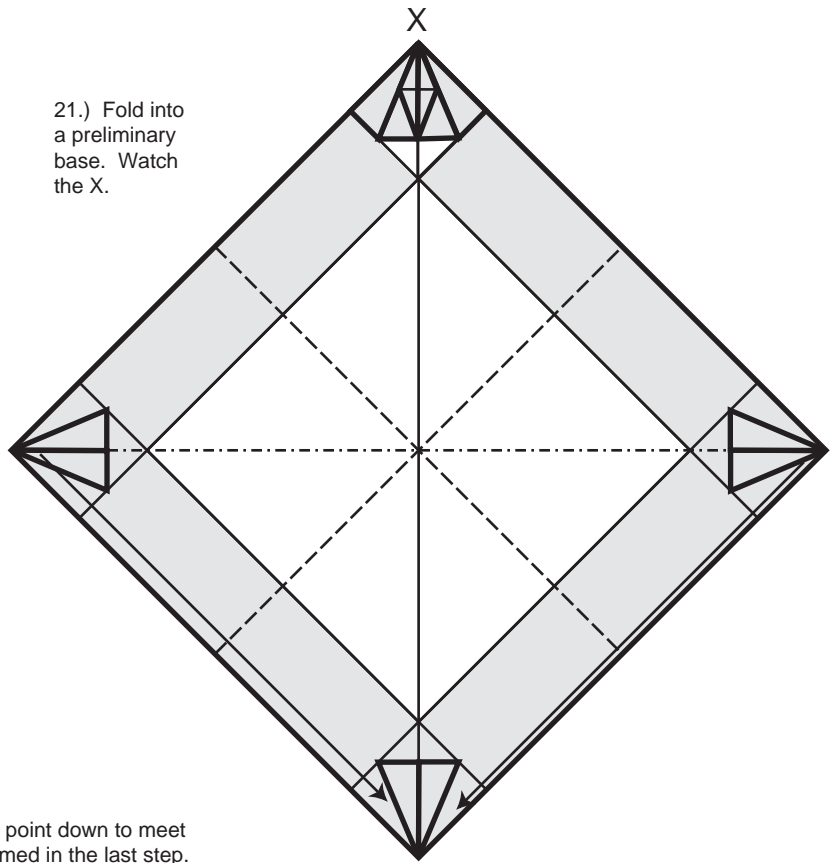
19.) Petal fold. Now you have a small Bird Base.



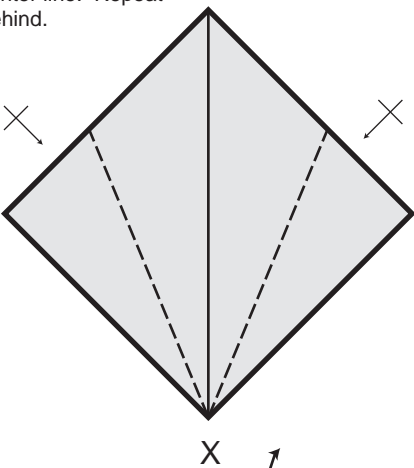
20.) Fold the other three corners as shown.



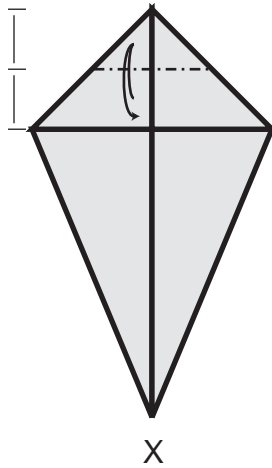
21.) Fold into a preliminary base. Watch the X.



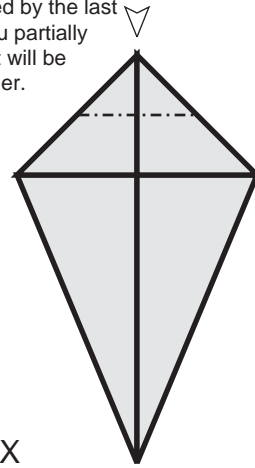
22.) With the X layers in front, fold the sides to the center line. Repeat behind.



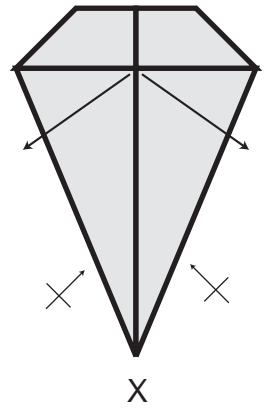
23.) Fold the point down to meet the edges formed in the last step.



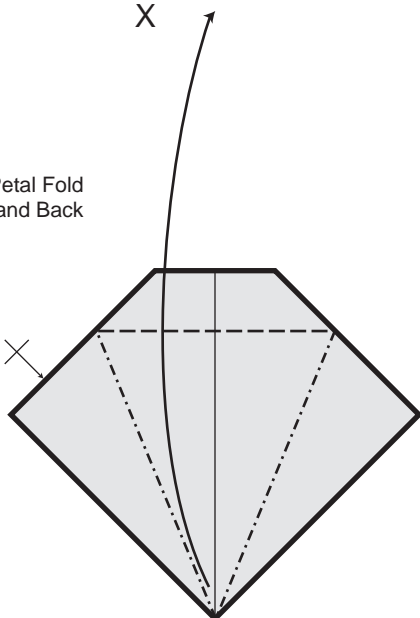
24.) Sink the tip on the line created by the last fold. If you partially unfold it, it will be much easier.



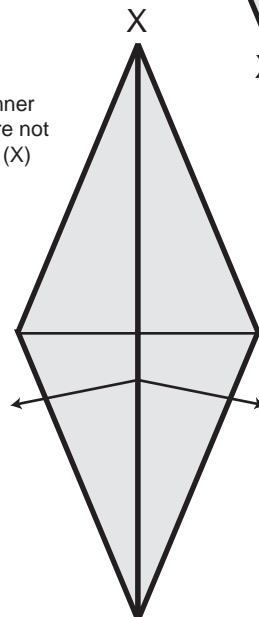
25.) Open up the sides.



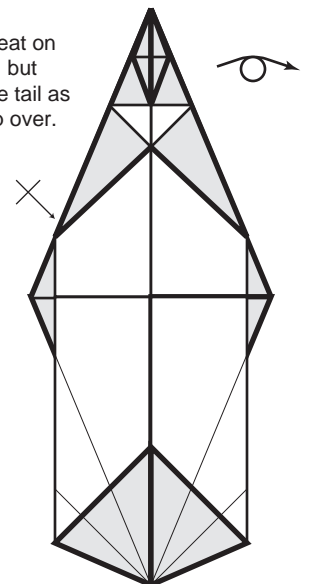
26.) Petal Fold Front and Back



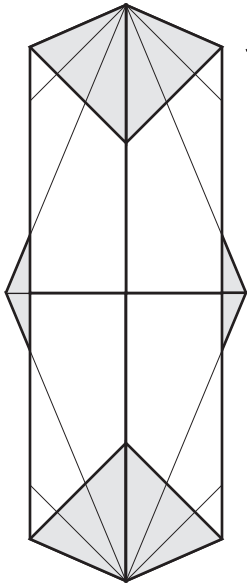
27.) Pull out the inner edges. Taking care not to unfold the head (X) Press flat.



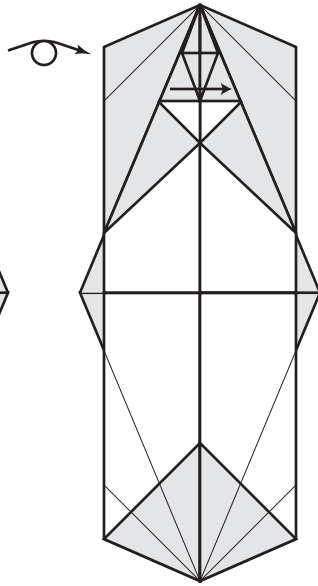
28.) Repeat on the back, but unfold the tail as well. Flip over.



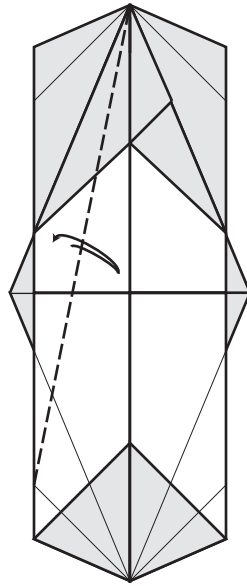
29.) The tail should look like this. Flip over.



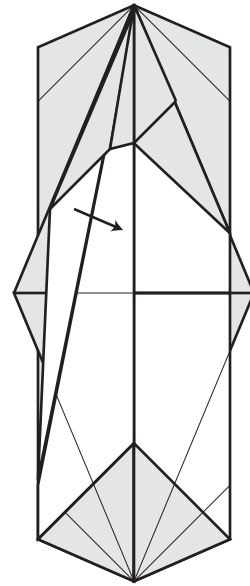
30.) Fold the layers of the head together.



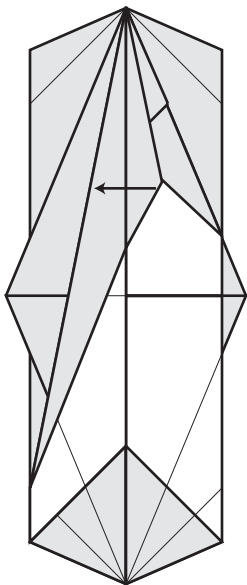
31.) Fold the top layers to the center. Then unfold.



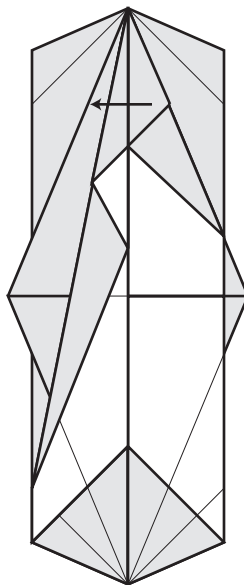
32.) Squash fold



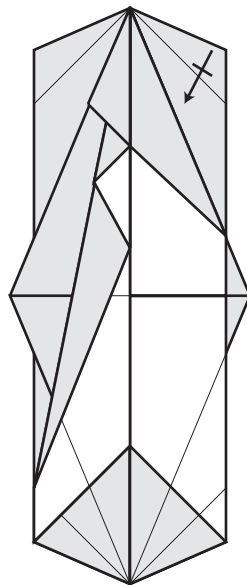
33.) Flip this layer back.



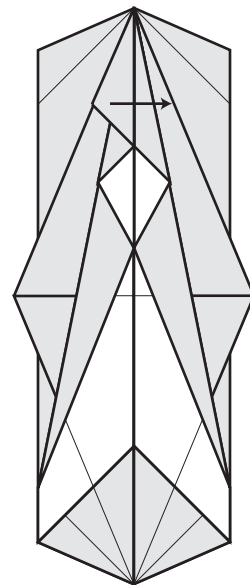
34.) Flip all of the layers of the head, to the other side.



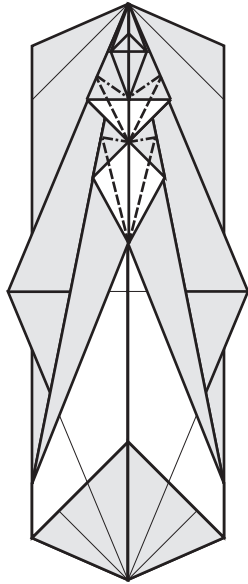
35.) Repeat steps 31 through 33 on the other side.



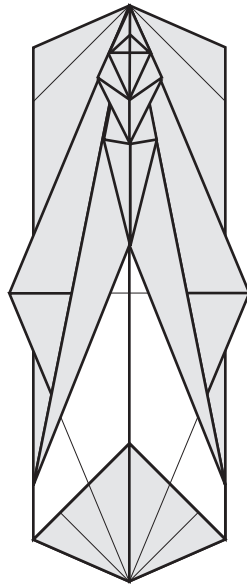
36.) Open the layers of the head,



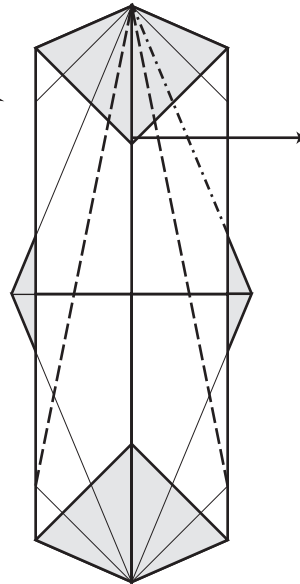
37a.) Fold the edges into rabbit ears.



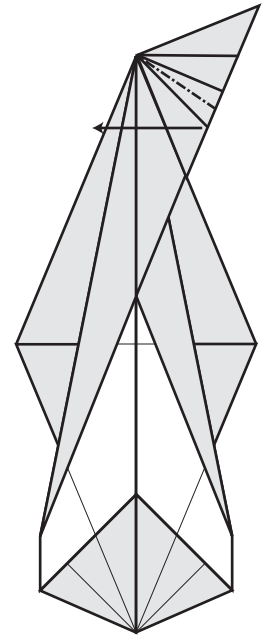
37b.) The completed folds. Now flip over.



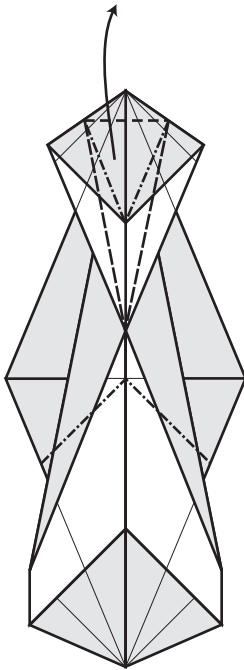
38.) Using the other side as a guide for these folds. Make a rabbit ear.



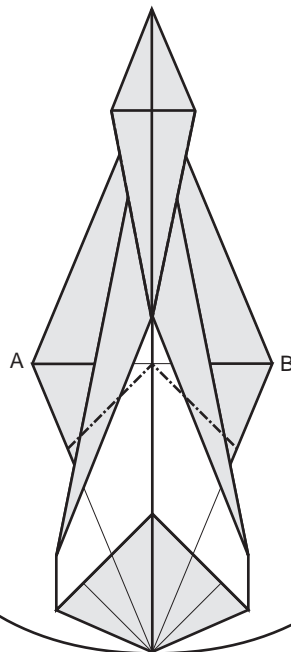
39.) Squash fold.



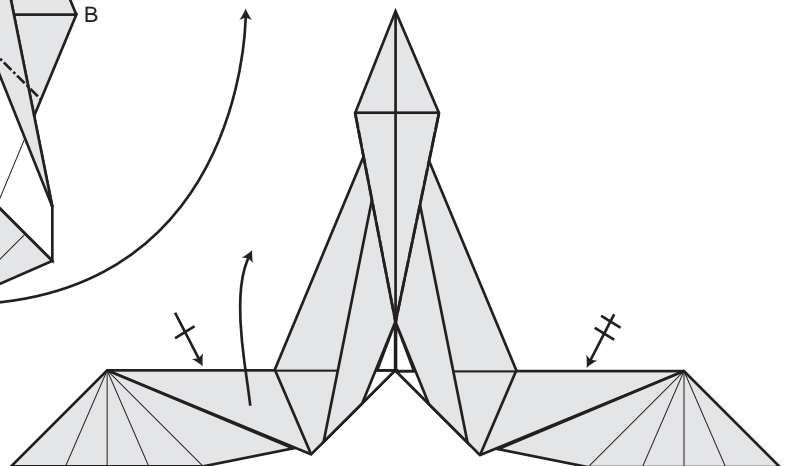
40.) Petal fold the tail.



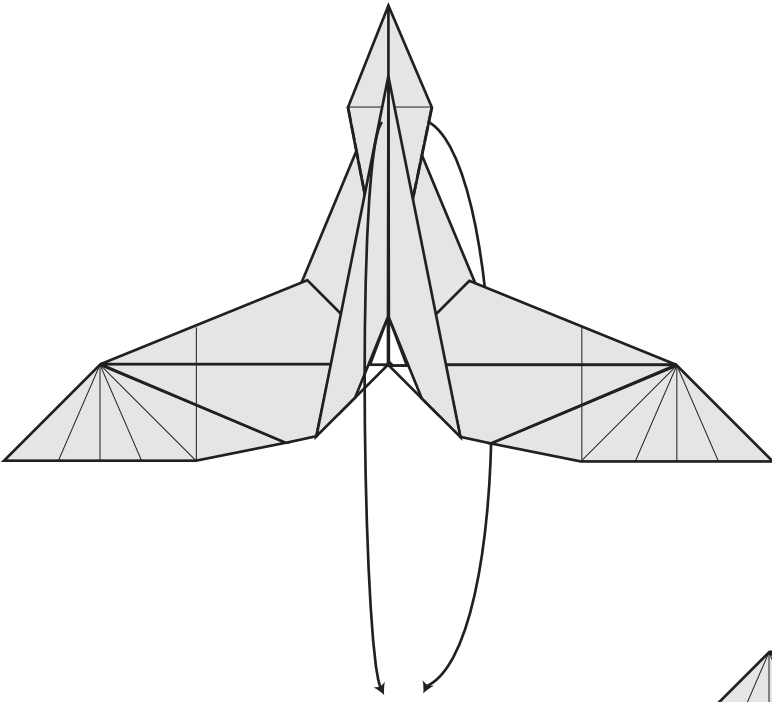
41.) Inside reverse fold the wing outward. Opening the wingtips as you do. The leading edges will line up with line AB



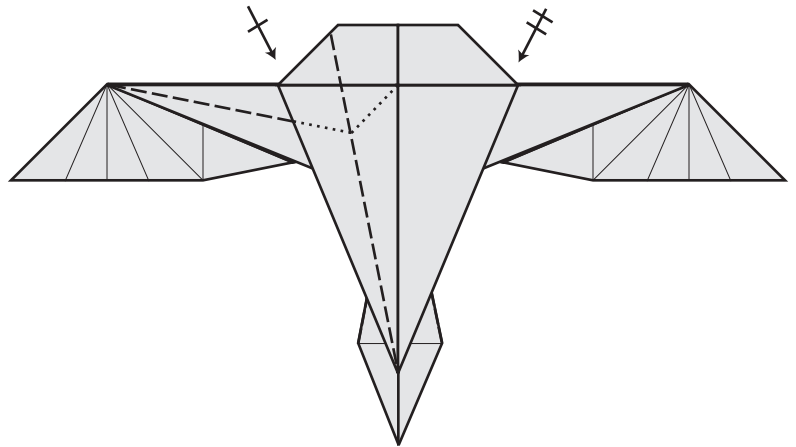
42.) Fold the inner layer up on the front and back of each wing.



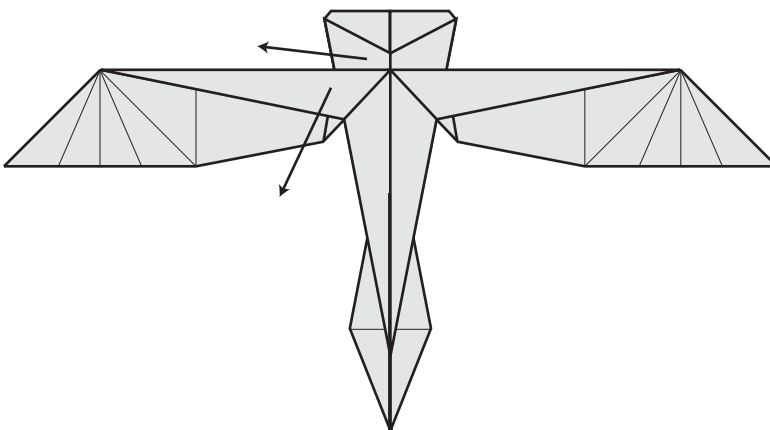
43.) Fold down the front and back layers.



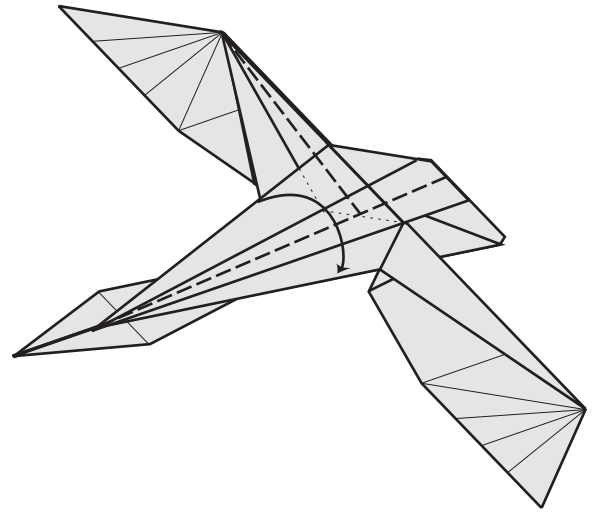
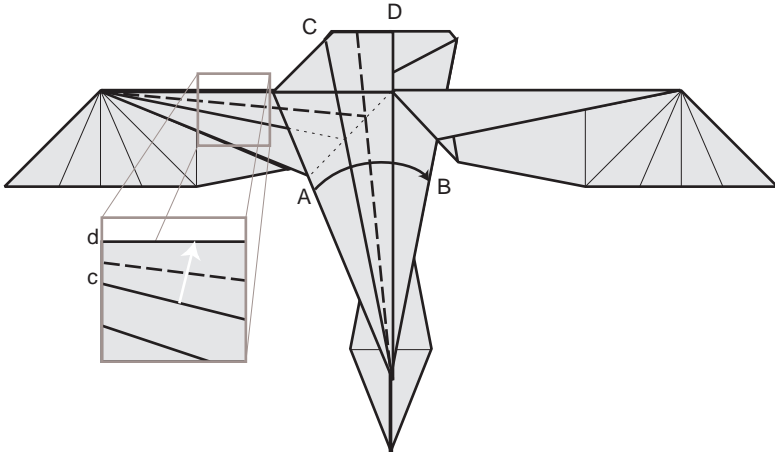
44.) Do a combination fold. Bring the top edge into the centerline. This will lift up the top layer of the wing. When the fold is complete, this edge will lie along the leading edge of the wing. Repeat this on the other three sides.



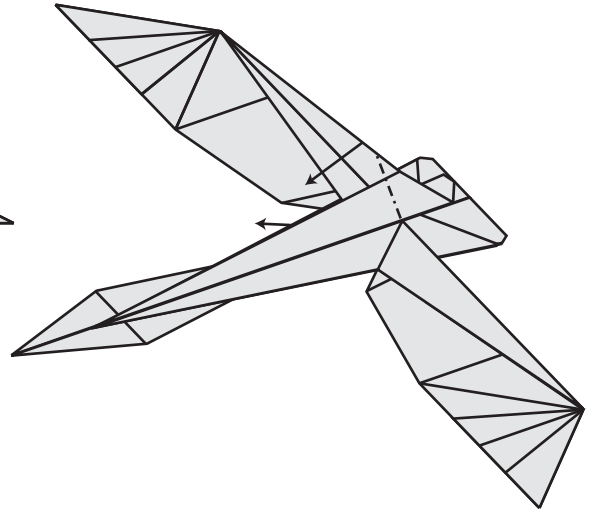
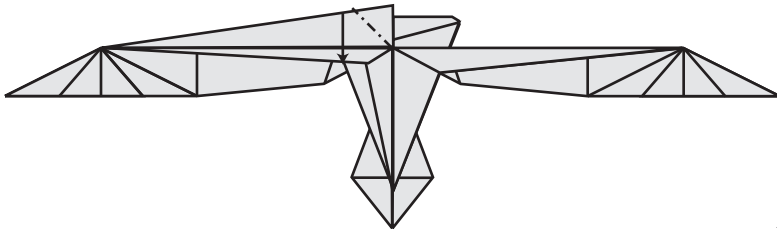
45.) Now open one side.



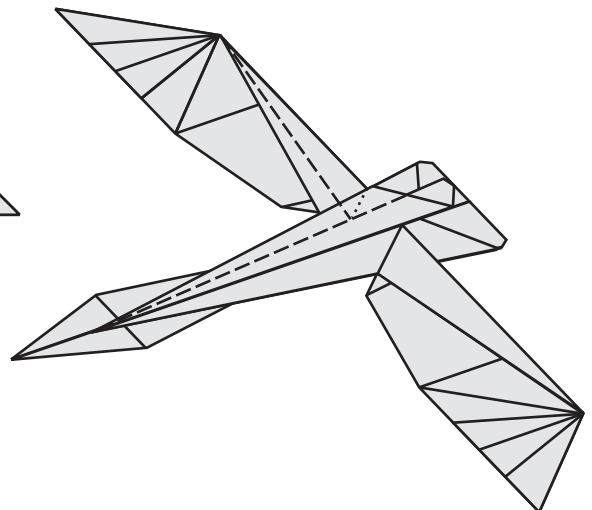
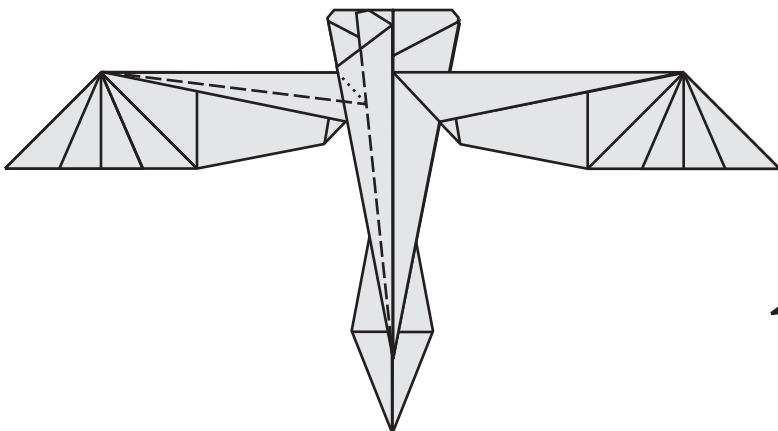
46.) Now we get to the fun part! First bring the Far edge (A) to meet the unfolded edge (B). This will bring the first bisector fold (C) to the center line (D). This will bring the wing's leading edges up as well. Fold the same as with the body, bringing the valey fold (c) to meet the leading edge (d). When the folds are complete the model will not lie flat. In fact the two edges will be at right angles to the rest of the model.



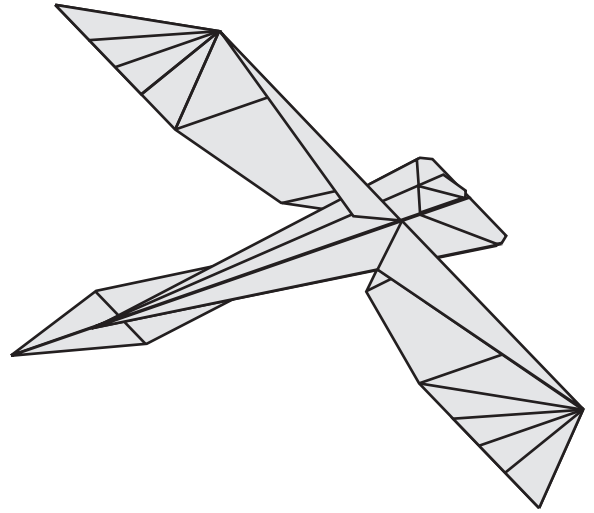
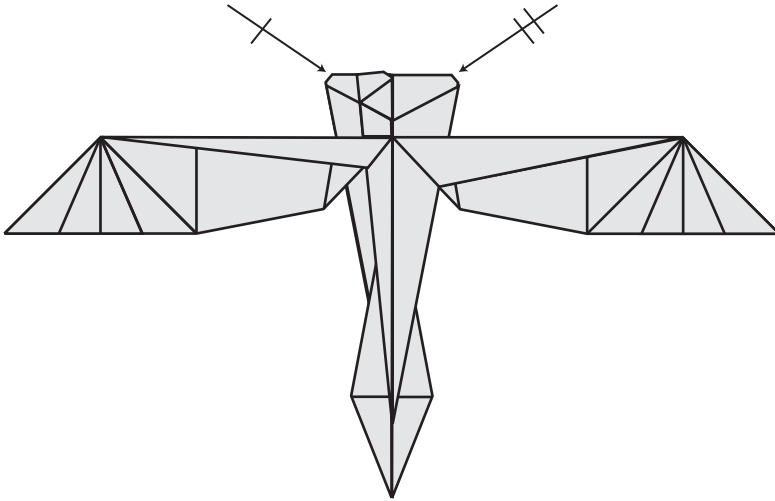
47.) Now fold the standing layers down.



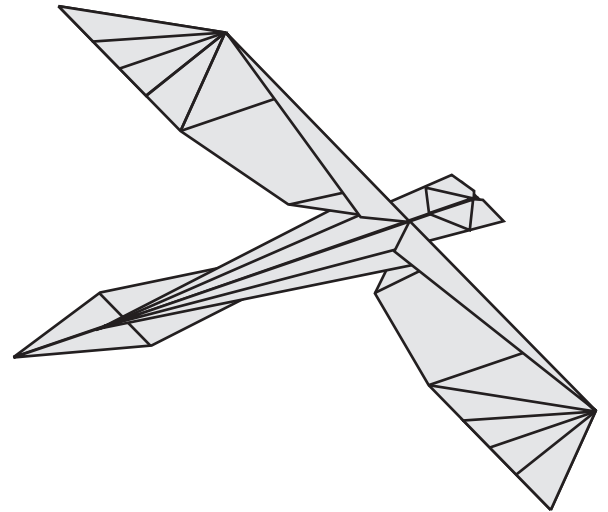
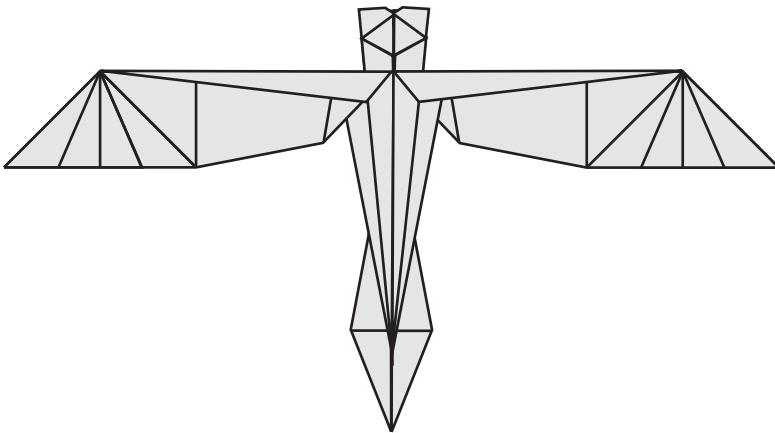
48.) Compound fold the remaining layers along the same lines as in step 43. The model will now lie flat.



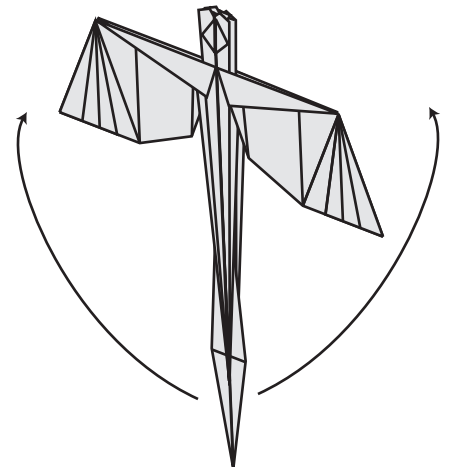
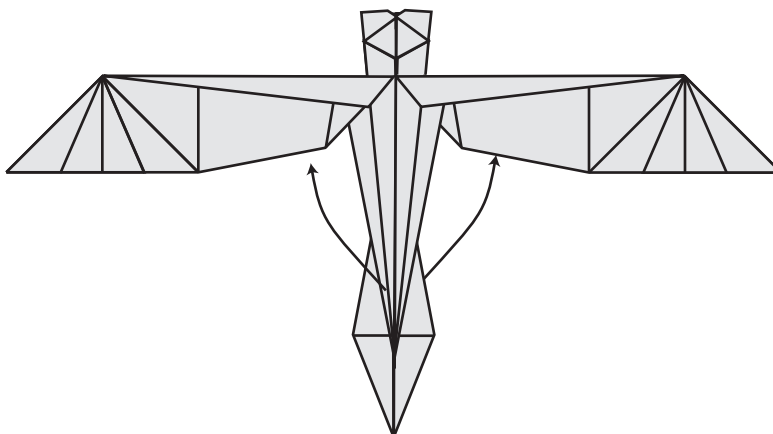
49a.) Now repeat steps 45 - 48 on the other sides.



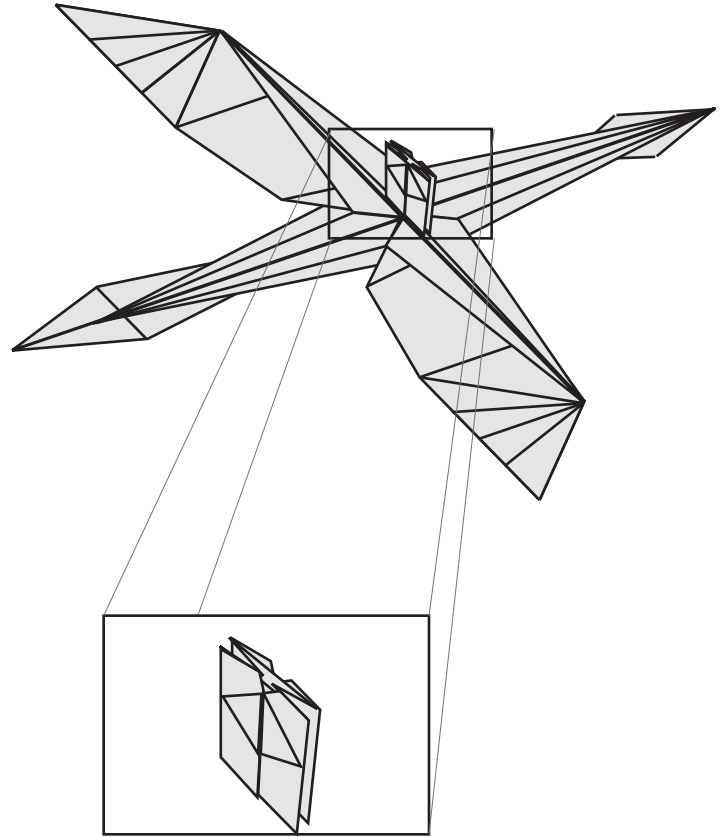
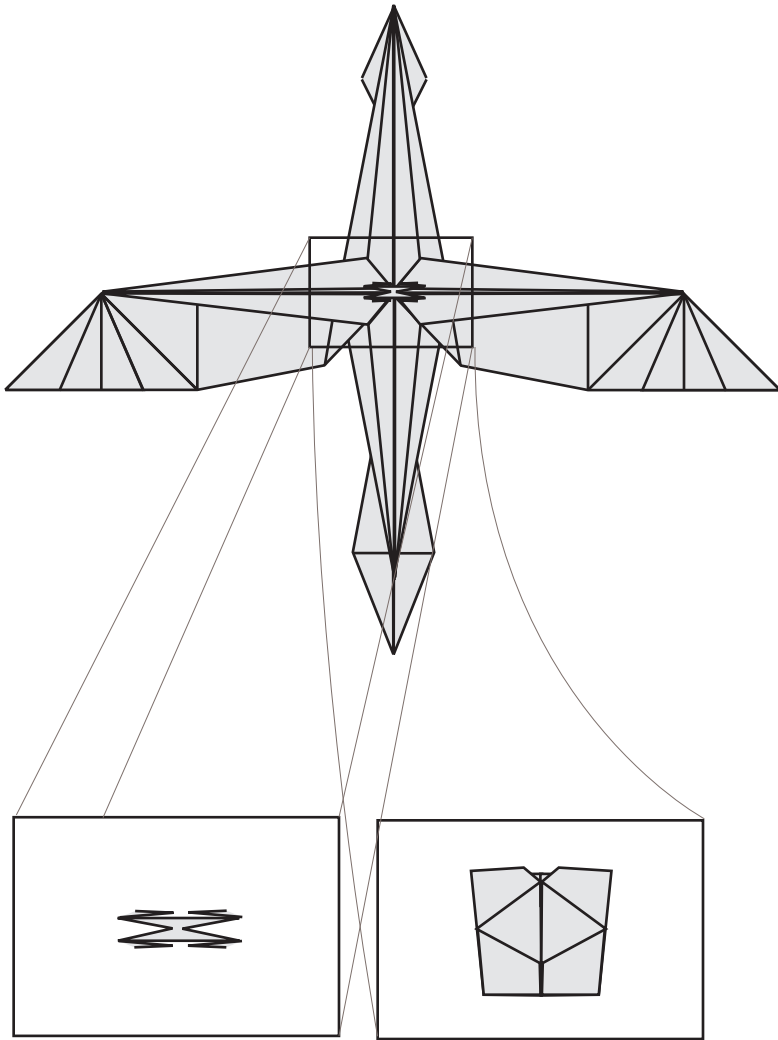
49b.) The model should look like this. This is also a good time to flatten the dragon as much as possible. Make all of the creases as sharp as you can. Here is where a hard flat surface comes in handy. You can also use a rolling pin, if one is handy.



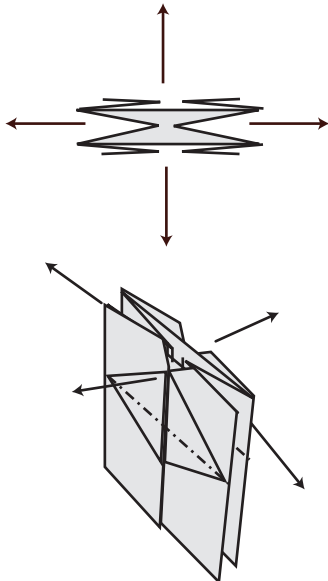
50.) Open out the model. Pulling the head and tail sections out, so that they lie flat, with the center section above the wings standing perpendicular to the rest of the model. This easier done than said. You'll see what I mean, by looking at the next step.



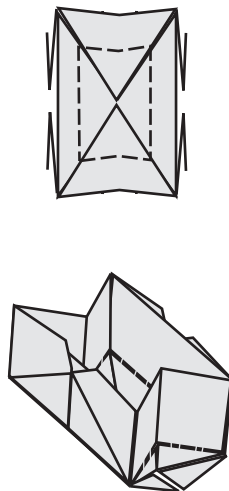




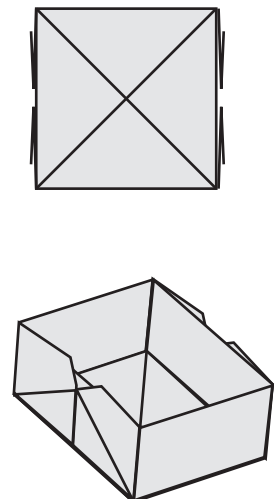
51a.) The next few steps deal with the center section. First open the middle. Spreading as you go.



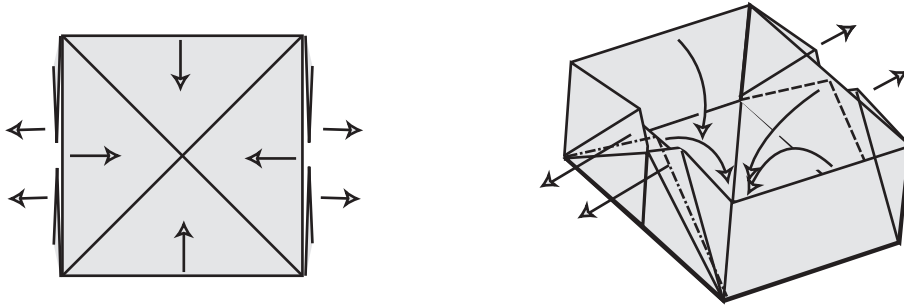
51b.) As the bottom spreads out it will form a square box.



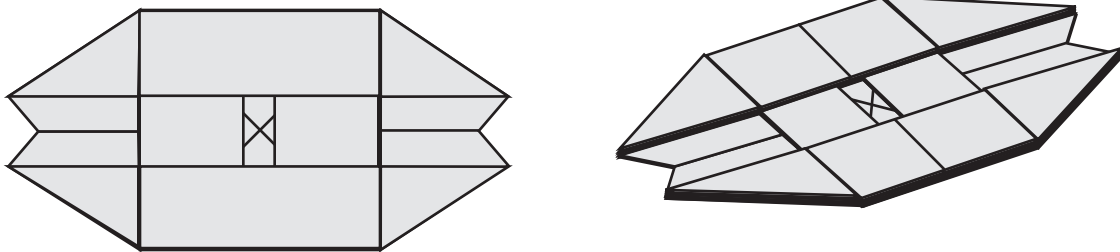
51c.) Finished. The edges don't have to be sharp, but it helps.



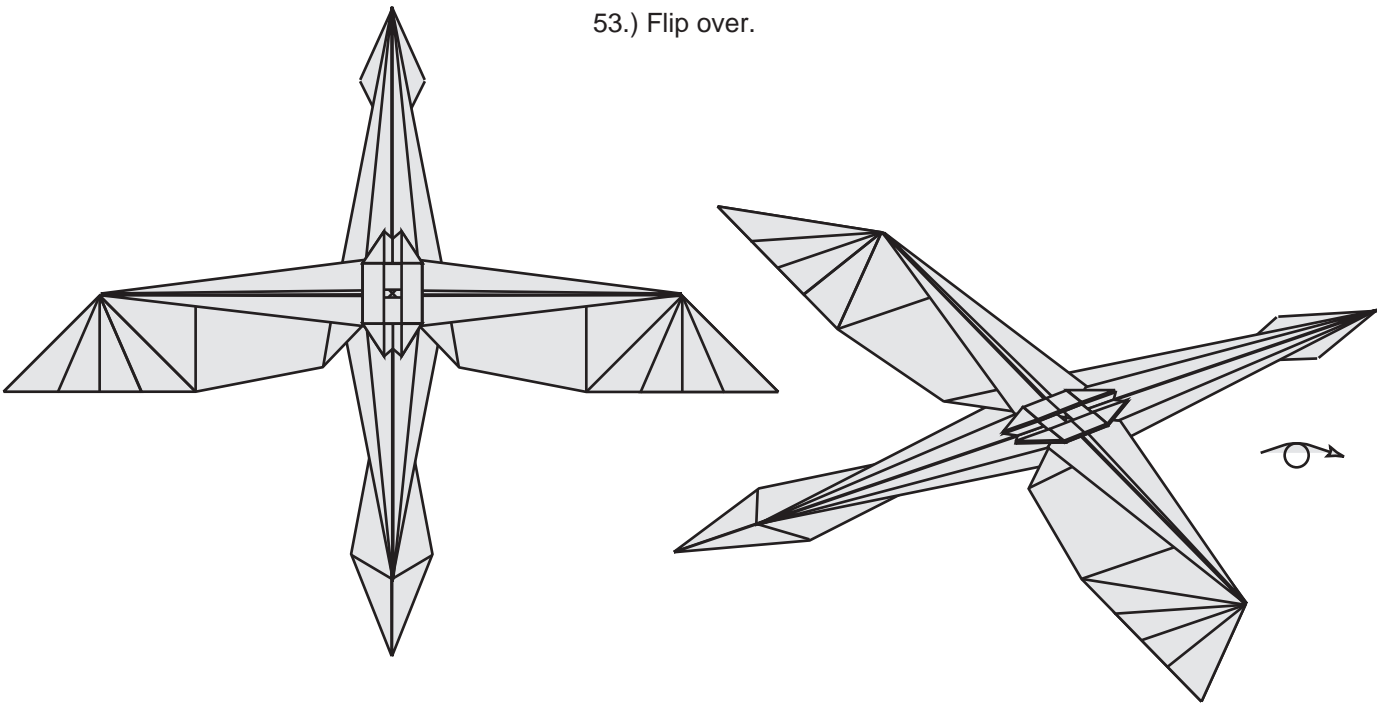
52a.) Bring in the sides, while you pull the front and back outwards. Flatten the model.



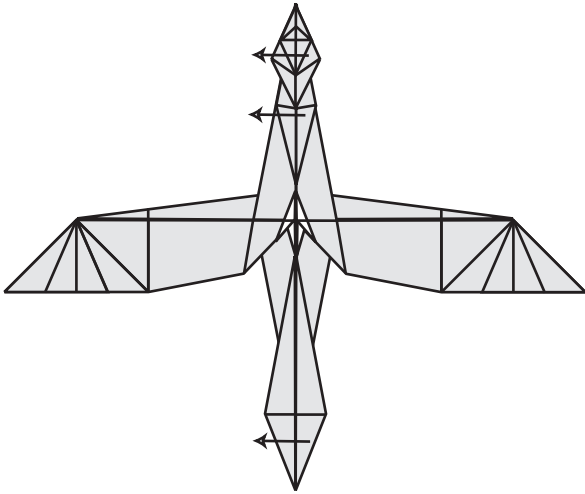
52b.) It will look like this when done.



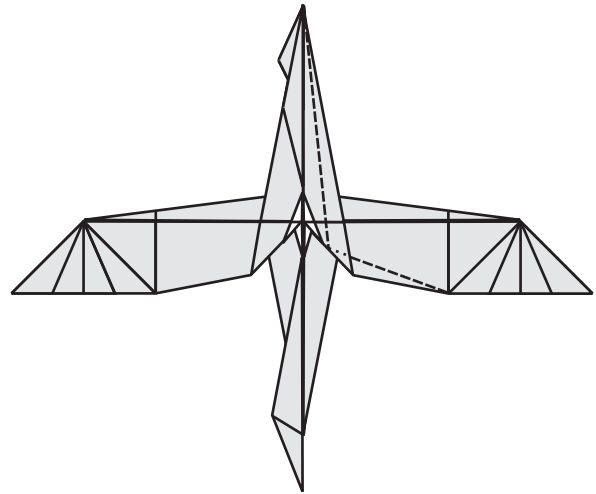
53.) Flip over.



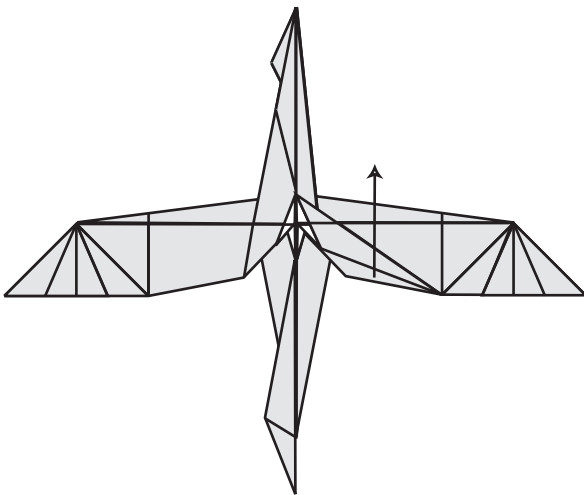
54.) Fold the head and tail sections to one side.



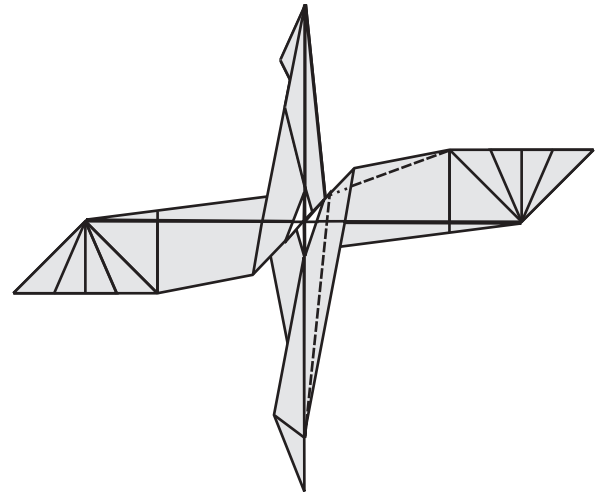
55.) Fold the edge into the center, shaping the wing as you go.



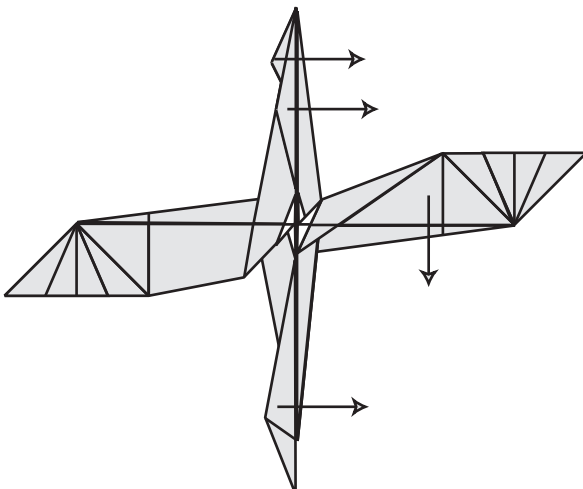
56.) Flip both layers of the wing forward.



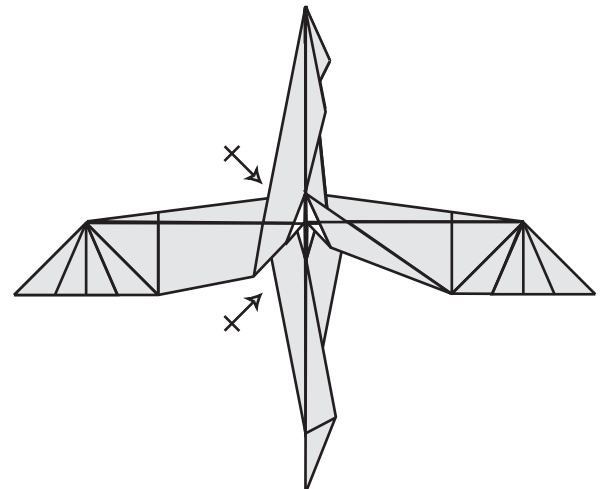
57.) Repeat step 55 on the back.



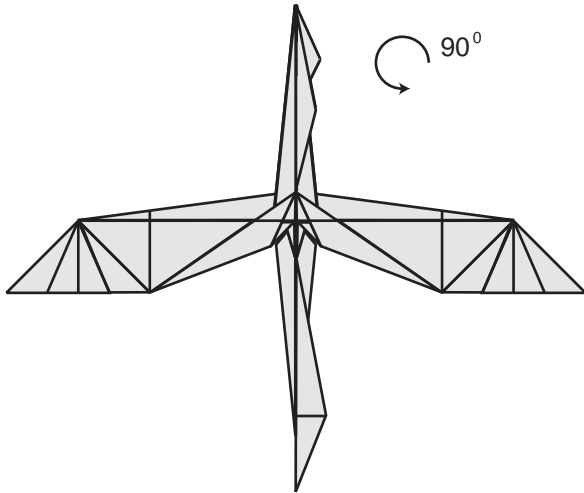
58.) Flip the wing, head, and tail over.



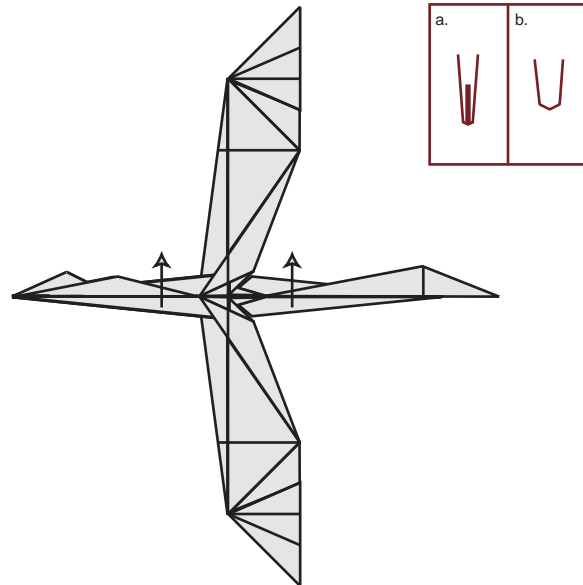
59.) Repeat 55-57. And return the wing to its' starting position



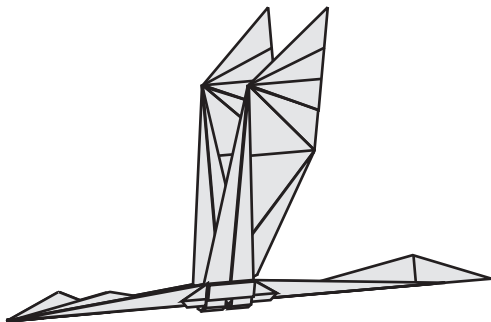
60.) It's starting to look like a dragon, isn't it?  
Rotate 90 degrees.



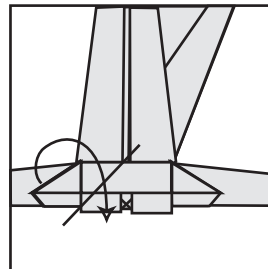
61a.) Fun Time! No we fold the model ALMOST in half. The center section is rather THICK. So we fold the head and tail in half (a), but the bottom is to be folded in a U shape (b) with the bottom almost flat.



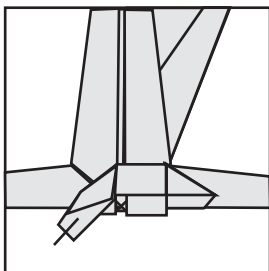
61b.) The wings should be between 30 and 90 degrees depending on what pose you want the dragon to have. For the next steps we zoom in to the legs.



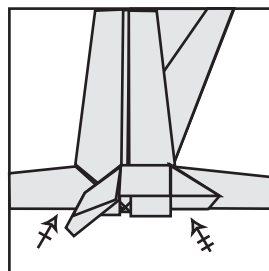
62.) Roll the leg down as far as it will go.



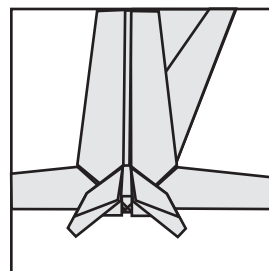
63.) Pinch the tip.



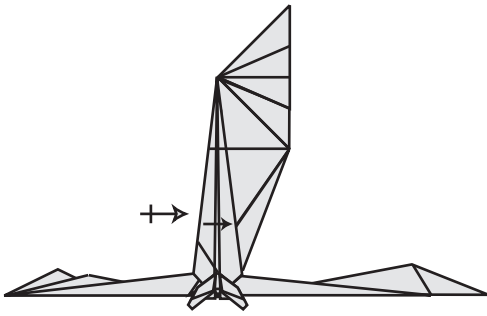
64a.) Repeat steps 62 & 63 for the other legs.



64b.) The legs are done. Let's move on to the wings.



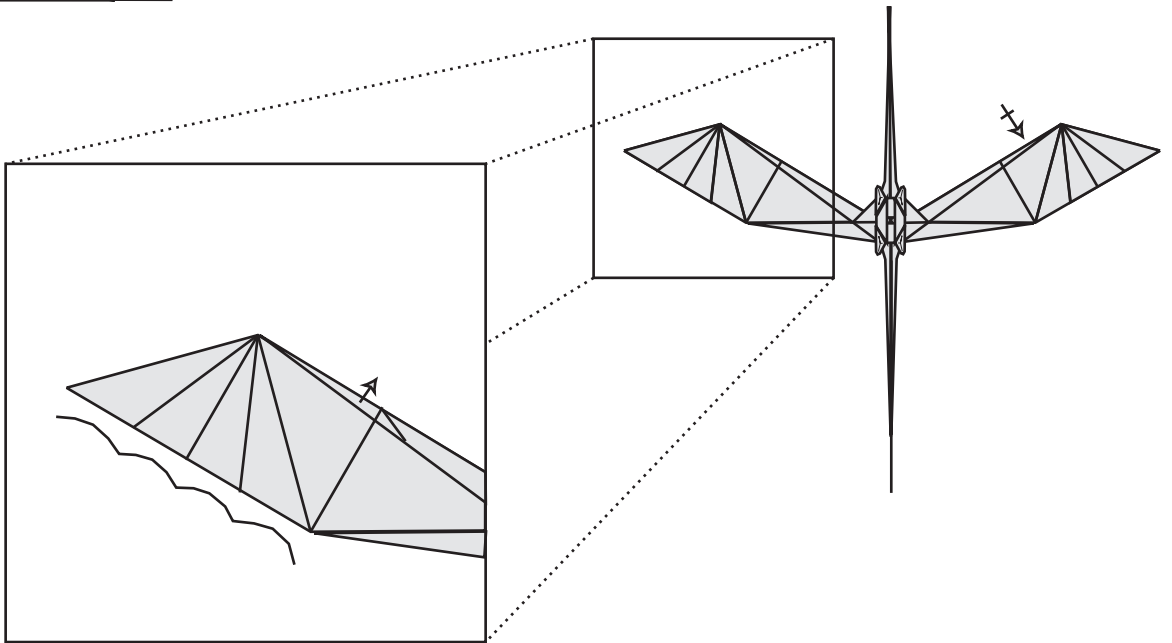
65.) Fold the leading edge back. This will cause the wings to move forward. The model will not lie flat.



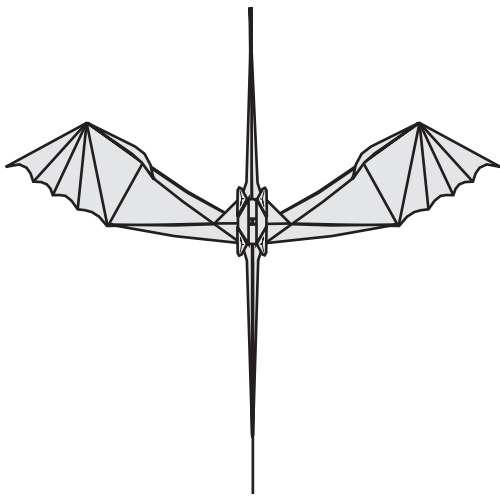
66a.) From the marker fold, unfold all the layers. This causes the wing to take on a curve. You can adjust this fold to reflect different wing positions.

Then curve the wingtip along the existing lines.

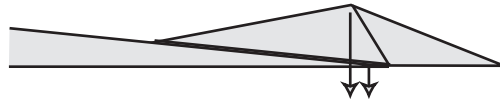
Repeat on the other wing. Shaping them to taste.



66b.) The wings are done.



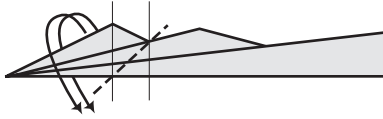
67.) Wrap the sides of the tail fin over the tail.



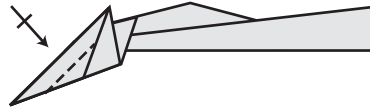
68.) With a soft crease, curve the tail fin.



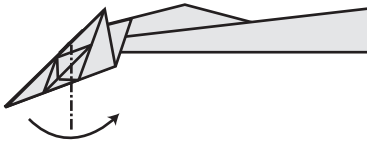
69.) Outside reverse fold all layers of the head as shown.



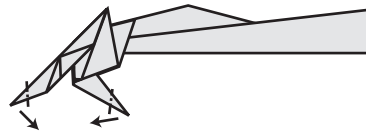
70.) Fold the first layer to the top to make the eyes.



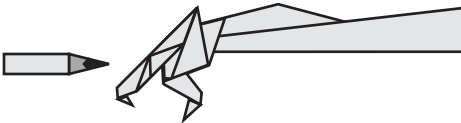
71.) Inside reverse fold down the mouth. You don't have to pull it all the way down. Do the mouth to taste.



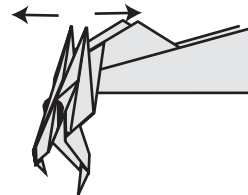
72.) Inside reverse fold the teeth.



73.) With a pencil, or a similarly pointed object, open the eyes.



74.) Spread the ears slightly.



75.) Dragon done!

